

ASb 647-1 / ASbe 647-1



# Impact Wrench



## SERVICE

**Tool service and maintenance must be performed only by qualified repair personnel.**

**When servicing a tool, only use identical replacement parts available from FEIN.**

Repairs on FEIN Power Tools required the use of special tools (pulling devices and bearing press). Authorized repair centers have trained repair technicians and equipment necessary to perform these repairs. Service or repairs performed by unqualified persons could result in operator injury.

For the location of the repair center near you, please call 1-800-441-9878. Monday thru Friday, 9AM to 5PM EST. Or, look on our web site at [www.feinus.com](http://www.feinus.com) and follow the link to "Authorized Warranty Repair Centers"

FEIN Power Tools  
1030 Alcon Street  
Pittsburgh, PA 15220

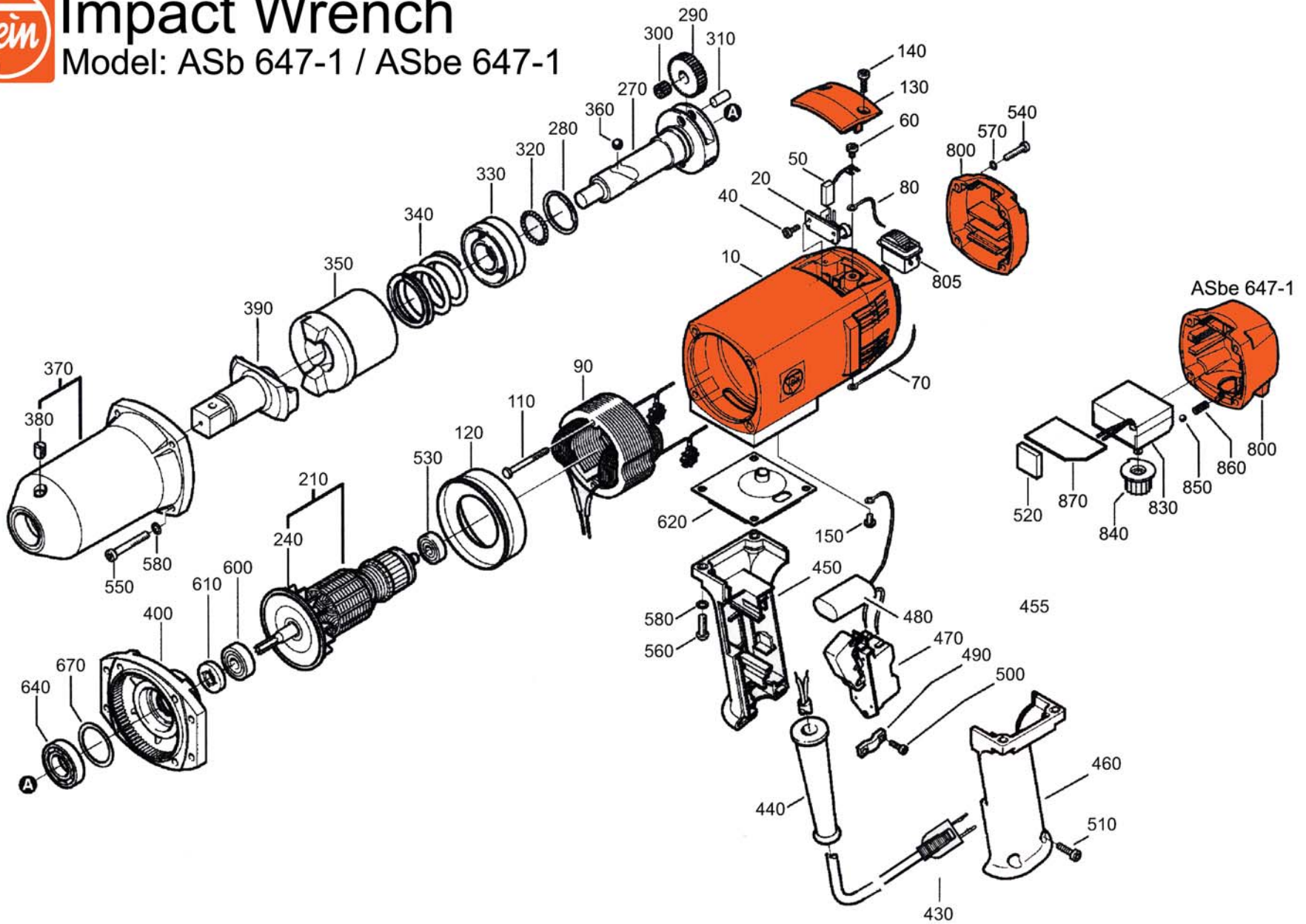
Phone: 412-922-8886 Fax: 412-922-8767 Toll Free: 1-800-441-9878

April 15, 2004



# Impact Wrench

Model: ASb 647-1 / ASbe 647-1



**Fein Power Tools**

**Asb 647-1 / Asbe 647-1 Parts List**

<u>Item</u>	<u>Item Number</u>	<u>Description</u>	<u>Reqd.</u>
10	3-19-03-119-00-3	MOTOR HOUSING	1
20	3-07-12-067-01-7	BRUSH HOLDER	2
40	4-30-41-001-99-4	SCREW	4
50	3-07-11-067-00-4	CARBON BRUSH	2
60	4-30-03-029-04-8	SCREW	2
70	3-07-19-062-01-7	CABLE	1
80	3-07-19-065-01-3	CABLE	1
90	5-1-212-002-11-1	FIELD COIL	1
110	4-30-01-002-04-0	SCREW	2
120	3-14-28-022-00-6	AIR CONDUCTING RING	1
130	3-24-27-069-00-6	COVER	1
140	4-30-46-001-00-2	SCREW	4
150	4-30-03-029-04-8	SCREW	1
210	5-3-212-002-11-3	ARMATURE	1
240	3-10-04-010-00-3	VENTALATION FAN	1
270	3-01-10-016-00-2	DRIVE SHAFT	1
280	4-26-43-009-00-5	RING	1
290	3-36-07-072-00-2	PLANETARY GEAR 41T	2
300	4-17-15-009-00-1	NEEDLE CAGE	2
310	4-17-09-006-00-0	ROLLER	2
320	4-17-08-014-00-1	BALL	24
330	3-26-02-045-00-0	THRUST COLLAR	1
340	3-09-01-231-00-5	COMPRESSION SPRING	1
350	3-01-12-023-00-9	PERCUSSION PISTON	1
360	4-17-08-025-00-4	BALL	2
370	3-15-08-124-01-3	FRONT HOUSING	1
380	3-21-31-037-00-5	LUBRICATING NIPPLE	1
390	3-01-04-047-00-5	TOOL HOLDER	1
400	3-15-06-195-01-2	INTER BEARING	1
430	3-07-05-035-01-3	CABLE	1
440	3-14-13-090-00-3	CABLE PROTECTING SLEEVE	1
450	3-12-04-090-00-3	HANDLE-LOWER PART	1
460	3-12-04-091-00-2	HANDLE-UPPER PART	1
470	3-07-01-068-00-3	REVERSING SWITCH	1
480	3-07-22-074-00-9	CAPACITOR	1
490	3-24-31-021-00-7	CABLE CLAMP	1
500	4-30-41-011-99-3	SCREW	2
510	4-30-41-023-04-6	SCREW	2
520	3-14-15-023-00-4	RUBBER BUFFER (ASBE 647-1)	1
530	4-17-01-204-13-1	BALL BEARING	1
540	4-30-33-005-04-7	SCREW	4
550	4-30-33-016-05-5	SCREW	4
560	4-30-14-042-05-3	SCREW	4
570	4-24-43-003-04-3	LOCK WASHER	4
580	4-24-43-004-05-7	LOCK WASHER	8
600	4-17-01-207-03-3	BALL BEARING	1
610	3-06-02-010-00-0	PACKING RING	1
620	3-24-22-093-00-7	COVERING PLATE	1
640	4-17-01-603-01-3	BALL BEARING	1
670	3-26-24-046-02-8	WASHER	
670	3-26-24-046-03-4	WASHER	
800	3-12-07-066-00-4	COVER (ASB 647-1)	1
800	3-12-07-067-00-8	COVER (ASBE 647-1)	1
805	3-07-01-085-01-5	REVERSING SWITCH (ASB 647-1)	1
805	3-07-01-085-02-1	REVERSING SWITCH (ASBE 647-1)	1
830	3-07-62-016-01-0	SPEED CONTROL (ASBE 647-1)	1
840	3-28-05-061-00-6	SWITCH GRIP (ASBE 647-1)	1
850	4-17-08-018-00-0	BALL (ASBE 647-1)	1
860	3-09-01-003-00-0	SPRING (ASBE 647-1)	1
870	3-24-22-095-00-9	PLATE (ASBE 647-1)	1